

## CONVERTS DC INPUT TO TIME-INTEGRATED PULSE

### FEATURES

- Provides relay closure rate which is proportional to the time integral of the input signal.

### APPLICATIONS

- Designed for use with DC, pulsating DC, or DC with AC components.

**5 YEAR WARRANTY**



## MODEL SELECTION

INPUT RANGE	CLOSURE RATE (COUNTS/HR)	STANDARD MODELS
0-50mVdc	0-10000	VFC-010
0-100mVdc	0-10000	VFC-020
0-150mVdc	0-10000	VFC-030
0-250mVdc	0-10000	VFC-040
0-1mAdc	0-10000	VFC-050
0-10Vdc	0-10000	VFC-060
4-20mAdc	0-10000	VFC-070
0-5Vdc	0-10000	VFC-080

### ORDERING INFORMATION

Example: 0-150mV Input, 10,000Cts/hr at F.S., 230Vac Inst. Pwr.

**VFC-030-22**

Custom count rates available - Consult factory  
Optional 230Vac Instrument Power - Add suffix "-22"

## SPECIFICATIONS

### INPUT

Type ..... See Table  
 Overload ..... 10Vdc max.  
 Impedance  
 Voltage input models ..... >1MΩ  
 Current input models ..... <200Ω  
 Frequency ..... dc with up to 100% ripple @ ≥120Hz

### OUTPUT

Relay ..... N/O SPST, 120V, 0.5A contact rating  
 Relay closure period ..... 200ms

### ACCURACY

..... ±0.25% F.S.  
 Linearity ..... ±0.1% F.S.

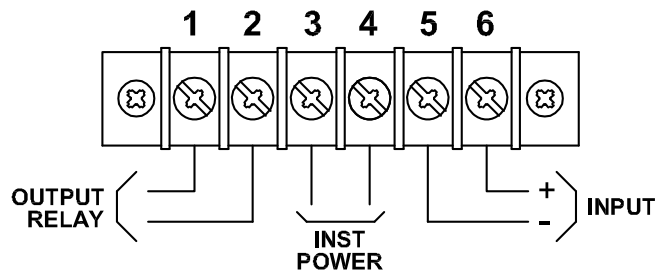
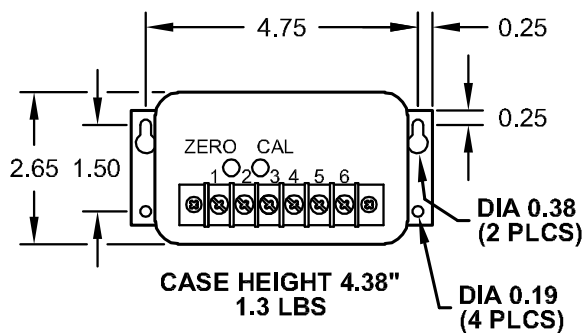
### TEMPERATURE

Operating Range ..... -10°C to 60°C  
 Effect ..... ±0.5%

### INSTRUMENT POWER

Standard ..... 85-135Vac, 50-400Hz, 3.5VA  
 "-22" Option ..... 230Vac, 50/60Hz, ±15%

## CASE DIMENSIONS & CONNECTION DIAGRAM



Dwg# 0902-00889-B Rev A